

Архангельск (8182)63-90-72  
 Астана (7172)727-132  
 Астрахань (8512)99-46-04  
 Барнаул (3852)73-04-60  
 Белгород (4722)40-23-64  
 Брянск (4832)59-03-52  
 Владивосток (423)249-28-31  
 Волгоград (844)278-03-48  
 Вологда (8172)26-41-59  
 Воронеж (473)204-51-73  
 Екатеринбург (343)384-55-89  
 Иваново (4932)77-34-06

Ижевск (3412)26-03-58  
 Иркутск (395)279-98-46  
 Казань (843)206-01-48  
 Калининград (4012)72-03-81  
 Калуга (4842)92-23-67  
 Кемерово (3842)65-04-62  
 Киров (8332)68-02-04  
 Краснодар (861)203-40-90  
 Красноярск (391)204-63-61  
 Курск (4712)77-13-04  
 Липецк (4742)52-20-81  
 Киргизия (996)312-96-26-47

Магнитогорск (3519)55-03-13  
 Москва (495)268-04-70  
 Мурманск (8152)59-64-93  
 Набережные Челны (8552)20-53-41  
 Нижний Новгород (831)429-08-12  
 Новокузнецк (3843)20-46-81  
 Новосибирск (383)227-86-73  
 Омск (3812)21-46-40  
 Орел (4862)44-53-42  
 Оренбург (3532)37-68-04  
 Пенза (8412)22-31-16  
 Россия (495)268-04-70

Пермь (342)205-81-47  
 Ростов-на-Дону (863)308-18-15  
 Рязань (4912)46-61-64  
 Самара (846)206-03-16  
 Санкт-Петербург (812)309-46-40  
 Саратов (845)249-38-78  
 Севастополь (8692)22-31-93  
 Симферополь (3652)67-13-56  
 Смоленск (4812)29-41-54  
 Сочи (862)225-72-31  
 Ставрополь (8652)20-65-13  
 Казахстан (772)734-952-31

Сургут (3462)77-98-35  
 Тверь (4822)63-31-35  
 Томск (3822)98-41-53  
 Тула (4872)74-02-29  
 Тюмень (3452)66-21-18  
 Ульяновск (8422)24-23-59  
 Уфа (347)229-48-12  
 Хабаровск (4212)92-98-04  
 Челябинск (351)202-03-61  
 Череповец (8202)49-02-64  
 Ярославль (4852)69-52-93

<https://sistemiklein.nt-rt.ru> || [sfg@nt-rt.ru](mailto:sfg@nt-rt.ru)

## Фрезы и шпиндели для пантографов с ЧПУ

Wide range of accessories for CNC routers and machining centers: collet chucks, cutter arbors, spring collets, collet nuts, solid carbide spiral cutters. Sistemi distinguishes itself both for the high quality of its tools offering high precision and balancing and both for the wide range of **tool holders for all CNC routers**. Furthermore, SISTEMI offers a new line of CNC collet chucks made of stainless steel that guarantee high resistance and the highest reliability by avoiding oxidation problems.

Among the **router bits and collet chucks for CNC routers** you can find: high precision CNC collet chucks for woodworking, SK tool holders, HSK collet chucks, BT chucks, Inox collet chucks, shrink fit chucks, solid carbide spiral cutters for woodworking, CNC router bits, spring collets, CNC spiral cutters, CNC tools, adapters for circular sawblades, cutter arbors, insert router bits, CNC collet chucks and spring collets set, solid carbide spiral cutters with KleinDIA special coating, CNC accessories, adjustable demount devices for tool holders and many others.



HW ROUTER BITS Z=2

T110



VHW ROUTER BITS Z=2

T112



CONCENTRIC CHUCKS  
S=MK2

T116



CONCENTRIC CHUCKS

T116



SPRING COLLETS

T117



**COLLET CHUCKS MORSE  
TAPER**

T118



**COLLET CHUCKS CYL  
SHANK Ø 20**

T118



**COLLET CHUCKS CYL  
SHANK Ø 25**

T118



**COLLET CHUCKS ISO 30  
TAPERED FLANGE FOR  
"THERMWOOD®"**

T118



**COLLET CHUCKS ISO 30  
SCM/MORBIDELLI**

T118



**COLLET CHUCKS ISO30  
FOR BIESSE & HSD**

T118



**LONGER COLLET CHUCKS  
ISO 30 FOR BIESSE & HSD**

T118



**COLLET CHUCKS ISO 30**

T118



**COLLET CHUCKS ISO 30**

T118



**COLLET CHUCKS ISO 30  
WITH Ø58 FLANGE**

T118



**COLLET CHUCKS ISO 40**

T118



**COLLET CHUCKS BT 30 -  
BT 35 - BT 40**

T118



**COLLET CHUCKS HSK40A**

T118



**COLLET CHUCKS HSK63F  
FOR "ESSETRE"  
MACHINES**

T118



**COLLET CHUCKS HSK63A  
FOR "ESSETRE"  
MACHINES**

T118



**COLLET CHUCKS HSK63F  
FOR "UNITEAM" MACHINES**

T118



**COLLET CHUCKS HSK  
TYPE "F"**

T118



**COLLET CHUCKS HSK-50F**

T118



**COLLET CHUCKS HSK-63E**

T118



**COLLET CHUCKS HSK "E"**

T118



**COLLET CHUCKS HSK50E  
40**

T118



**COLLET CHUCKS HSK63F  
ER16 - G 2.5 BALANCING**

TK118



**COLLET CHUCKS HSK63F  
ER32 - G 2.5 BALANCING**

TK118



**COLLET CHUCKS HSK63F  
DIN6388/EOC25 - G 2,5  
BALANCING**

TK118



**COLLET CHUCKS HSK63F  
ER16 - G2.5 BALANCING**

TJ118



**COLLET CHUCKS HSK63F  
ER32 - G2.5 BALANCING**

TJ118



**COLLET CHUCKS HSK63F  
DIN6388/EOC25 - G2,5  
BALANCING**

TJ118





**SHRINK FIT CHUCKS HSK-63F - HOTBLOCK®**

T120



**SHRINK FIT CHUCK EXTENSIONS L=150**

T120



**ER STRAIGHT SHANK TOOL EXTENSION**

T121



**COLLET CHUCKS ISO 30 INOX**

T118



**COLLET CHUCKS HSK63F INOX**

T118



**SPRING COLLETS ER 32 - DIN 6499**

T119



**SPRING COLLET SET ER 32 - DIN 6499**

X119



**SPRING COLLETS ER 40 - DIN 6499**

T123



**SPRING COLLET SET ER 40 - DIN 6499**

X123



**WATER-TIGHT SPRING  
COLLETS ER 32 - DIN 6499**

T119



**WATER-TIGHT SPRING  
COLLET SET ER 32 - DIN  
6499**

X119



**WATER-TIGHT SPRING  
COLLETS ER 40 - DIN 6499**

T123



**WATER-TIGHT SPRING  
COLLET SET ER 40 - DIN  
6499**

X123



**SPRING COLLETS EOC25 -  
DIN 6388 (462 E)**

T124



**SPRING COLLETS ER 20 -  
DIN 6499**

T126



**SPRING COLLETS ER 25 -  
DIN 6499**

T125



**SPRING COLLET SET ER25  
- DIN 6499**

X125



**SPRING COLLETS ER 16 -  
DIN 6499**

T127



**SPRING COLLETS ER 11 -  
DIN 6499**

T129



**SPRING COLLETS ETS 32 -  
DIN 6499**

T134



**SPRING COLLETS ETS 40 -  
DIN 6499**

T135



**SPRING COLLETS EOC12 -  
DIN 6388 (407E)**

T136



**SPRING COLLETS EOC16 -  
DIN 6388 (415E)**

T138



**SPRING COLLET SET +  
WIPE OFF KIT**

X125



**SPRING COLLET SET +  
WIPE OFF KIT**

X119



**SPRING COLLET SET +  
WIPE OFF KIT**

X123



**SPRING COLLET SET +  
WIPE OFF KIT**

X124





**SET IN WOODEN BOX**

X18



**SET IN PLASTIC BOX**

X18



**SET IN PLASTIC BOX**

X18



**SET IN PLASTIC BOX**

X18



**TORQUE WRENCHES FOR  
"MINI" NUTS**

Z052



**TORQUE HOOK  
WRENCHES**

Z052



**TORQUE WRENCHES FOR  
"NO-NOISE" NUTS**

Z052



**WRENCHES FOR COLLET  
NUT "STANDARD"**

Z052



**COLLET NUTS**

Z091





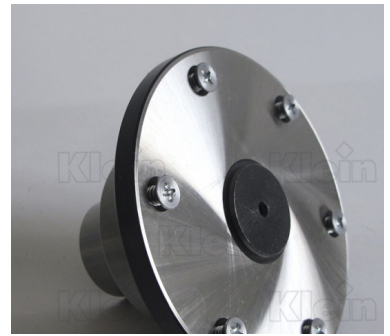
**"NO-NOISE" COLLET NUTS**

Z091



**ADAPTER FOR CIRCULAR SAWBLADES**

T128



**HSK63 ADAPTERS FOR CIRCULAR SAWBLADES**

T128



**SECURITY FLANGE FOR SAWBLADES ADAPTERS**

Z092



**CUTTER ARBORS WITH ISO 30 TAPER**

T128



**CUTTER ARBORS WITH ISO 30 - ISO 40 TAPER**

T128



**CUTTER ARBORS WITH HSK63F TAPER**

T128



**CUTTER ARBORS WITH HSK-63E TAPER**

T128



**CUTTER ARBORS WITH HSK85 TAPER**

T130 - T131 - T132



**CUTTER ARBORS WITH  
HSK85S TAPER**

T132



**SPACERS 2-SIDES  
GRINDED**

YD300 - YD350 - YD400



**SPACERS SET**

YD300 - YD350 - YD400 - YD500 -  
YD600



**RETAINING PAWLS FOR  
CONCENTRIC CHUCK**

T118



**RETAINING PAWLS FOR  
CONCENTRIC CHUCK**

T118



**RETAINING PAWLS FOR  
CONCENTRIC CHUCK**

T118



**RETAINING PAWLS FOR  
CONCENTRIC CHUCK**

T118



**RETAINING PAWLS FOR  
CONCENTRIC CHUCK**

T118



**RETAINING PAWLS FOR  
CONCENTRIC CHUCK**

T118



**RETAINING PAWLS FOR  
CONCENTRIC CHUCK**

T118



**RETAINING PAWLS FOR  
CONCENTRIC CHUCK**

T118



**RETAINING PAWLS FOR  
CONCENTRIC CHUCK**

T118



**RETAINING PAWLS FOR  
CONCENTRIC CHUCK**

T118



**SPINDLE WIPERS**

T137



**COLLET WIPERS**

T137



**BRUSHES FOR COLLET  
BORE**

T137



**WIPE OFF KIT**

X137



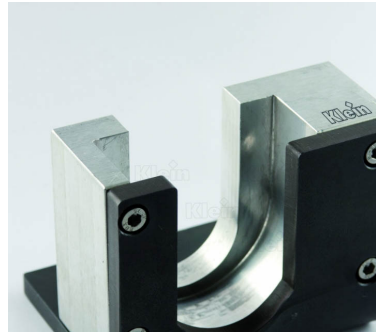
**ADJUSTABLE DEMOUNT  
DEVICES FOR TOOL  
HOLDERS**

T139



**DEMOUNT DEVICES FOR  
FLANGE Ø80 - Ø85**

T139



**DEMOUNT DEVICES**

T139



**DEMOUNT DEVICES FOR  
ISO30 WITH SERRATED  
FLANGE**

T139



**DUST & CHIP EXTRACTION  
NUT "TORNADO®"**

T139



X139.5...RK

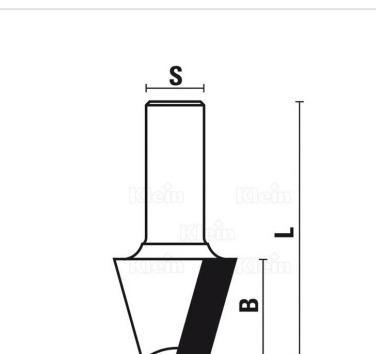
**DUST & CHIP EXTRACTION  
NUT SET - TORNADO®**

X139



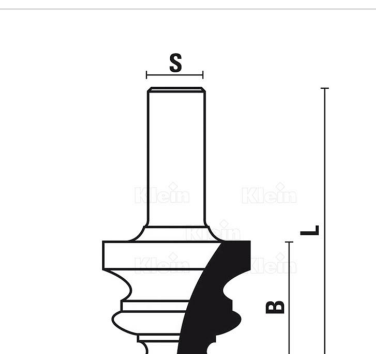
**TORQUE WRENCHES FOR  
TORNADO**

Z052



**PROFILE CUTTERS, GROUP  
1**

T130



**PROFILE CUTTERS, GROUP  
2**

T131



**SOLID CARBIDE SPIRAL  
CUTTERS, FINISH STYLE  
Z=1**

T141





**SOLID CARBIDE SPIRAL  
CUTTERS, FINISH STYLE  
Z=1 (LH Rot.)**

T141



**SOLID CARBIDE SPIRAL  
CUTTERS, FINISH STYLE  
Z=2**

T142



**SOLID CARBIDE SPIRAL  
CUTTERS, FINISH STYLE  
Z=2 (LH Rot.)**

T142



**SOLID CARBIDE SPIRAL  
CUTTERS, FINISH STYLE  
Z=3**

T143



**SOLID CARBIDE SPIRAL  
CUTTERS, FINISH STYLE  
Z=3 (LH Rot.)**

T143



**SOLID CARBIDE SPIRAL  
CUTTERS, ROUGHING  
STYLE Z=3**

T144



**SOLID CARBIDE SPIRAL  
CUTTERS, ROUGHING  
STYLE Z=3 (LH Rot.)**

T144



**SOLID CARBIDE SPIRAL  
CUTTERS Z=3**

T146 - T147



**SOLID CARBIDE SPIRAL  
CUTTERS, FINISH STYLE  
Z=1**

T151



**SOLID CARBIDE SPIRAL  
CUTTERS, FINISH STYLE  
Z=1 (LH Rot.)**

T151



**SOLID CARBIDE SPIRAL  
CUTTERS, FINISH STYLE  
Z=2**

T152



**SOLID CARBIDE SPIRAL  
CUTTERS FINISH STYLE  
Z=2 (LH Rot.)**

T152



**SOLID CARBIDE SPIRAL  
CUTTERS, FINISH STYLE  
Z=3**

T153



**SOLID CARBIDE SPIRAL  
CUTTERS, FINISH STYLE  
Z=3 (LH Rot.)**

T153



**SOLID CARBIDE SPIRAL  
CUTTERS, ROUGHING  
STYLE Z=3**

T154



**SOLID CARBIDE SPIRAL  
CUTTERS, ROUGHING  
STYLE Z=3 (LH Rot.)**

T154



**SOLID CARBIDE  
COMPRESSION CUTTERS  
Z=1+1**

T155



**SOLID CARBIDE  
COMPRESSION CUTTERS  
Z=1+1 (LH Rot.)**

T155



**SOLID CARBIDE SPIRAL  
CUTTERS FOR  
“LAMELLO®” KleinDIA®  
COATED**

T169.KD



**SOLID CARBIDE  
COMPRESSION CUTTERS  
Z=2+2**

T156



**SOLID CARBIDE  
COMPRESSION CUTTERS  
Z=2+2 (LH Rot.)**

T156



**SOLID CARBIDE MORTISE  
COMPRESSION Z=2+2**

T156.M



**SOLID CARBIDE  
COMPRESSION CUTTERS  
Z=3+3**

T356



**SOLID CARBIDE MORTISE  
COMPRESSION Z=3+3**

T356.M



**SOLID CARBIDE SPIRAL  
CUTTERS FOR LOCK-CASE  
Z=2 - Z=3**

T157



**SOLID CARBIDE SPIRAL CUTTERS Z=3 FOR LOCKS**

T177-T178



**SOLID CARBIDE SPIRAL CUTTERS Z=2**

T158



**SOLID CARBIDE SPIRAL CUTTERS Z=2**

T159



**SOLID CARBIDE SPIRAL CUTTERS, FINISH STYLE S=6 Z=2**

T160



**SOLID CARBIDE SPIRAL CUTTERS S=1/4" FINISH STYLE Z=2**

T164



**SOLID CARBIDE SPIRAL CUTTERS, FINISH STYLE S=6 Z=2**

T161



**SOLID CARBIDE SPIRAL CUTTERS, FINISH STYLE S=8 Z=2**

T162



**SOLID CARBIDE SPIRAL CUTTERS, FINISH STYLE S=8 Z=2**

T163



**HW FLUSH TRIM BITS WITH DOUBLE BALL BEARINGS Z=2**

T168





**SOLID CARBIDE SPIRAL  
CUTTERS, ROUGHING  
STYLE Z=2**

T170



**SOLID CARBIDE SPIRAL  
CUTTERS, ROUGHING  
STYLE Z=2**

T171



**SOLID CARBIDE SPIRAL  
CUTTERS RADIUS STYLE  
Z=2**

T175



**SOLID CARBIDE TAPERED  
BALL NOSE SPIRAL BITS  
Z=3**

T173



**HS ROUTER BITS FOR  
"HUNDEGGER" MACHINES**

T244



**HS CARVING BITS, PLANE  
STYLE**

T213-T214



**HS CARVING BITS, ROUND  
STYLE**

T215-T216



**SOLID CARBIDE SPIRAL  
ROUTER BITS  
FINISHING/ROUGHING  
STYLE KleinDIA®**

T344



**SOLID CARBIDE SPIRAL  
ROUTER BITS  
FINISHING/ROUGHING  
STYLE KleinDIA®**

T354



**SOLID CARBIDE SPIRAL  
ROUTER BITS  
FINISHING/ROUGHING  
STYLE KleinDIA® (LH Rot.)**

T354



**SOLID CARBIDE SPIRAL  
CUTTERS FOR LOCK-CASE  
Z=3, KleinDIA® COATED**

T357.KD



**SOLID CARBIDE SPIRAL  
CUTTERS FINISH STYLE  
Z=2, KleinDIA® COATED**

T142.KD



**SOLID CARBIDE SPIRAL  
CUTTERS FINISH STYLE  
Z=3, KleinDIA® COATED**

T143.KD



**SOLID CARBIDE SPIRAL  
CUTTERS ROUGHING  
STYLE Z=3, KleinDIA®  
COATED**

T144.KD



**DUST PLUG**

Z051



**TOOL KIT FOR CNC  
ROUTERS**

X118



**TOOL KIT FOR CNC  
ROUTERS**

X118



**TOOL KIT FOR CNC  
ROUTERS**

X118



**TOOL KIT FOR CNC  
ROUTERS**

X118



**TOOL KIT FOR CNC  
ROUTERS**

X118



**TOOL KIT FOR CNC  
ROUTERS**

X118



**COLLET CHUCKS HSK  
TYPE "F" FOR MULTIAX**

T118



**COLLET CHUCKS ISO 30  
FOR MULTIAX**

T118



**SPRING COLLETS 3°  
TAPER ANGLE - MULTIAX**

T133



**COLLET CHUCKS DIN 6499  
(ER32)**

T118



**ULTRA PRECISION SPRING  
COLLETS ER32 - DIN 6499**

T119.UP



**ULTRA PRECISION SPRING  
COLLETS ER40 - DIN 6499**

T123.UP





**ULTRA PRECISION SPRING COLLETS ER25 - DIN 6499**

T125.UP



**ULTRA PRECISION SPRING COLLETS ER20 - DIN 6499**

T126.UP



**ULTRA PRECISION SPRING COLLETS ER16 - DIN 6499**

T127.UP



**SHRINK FIT CHUCKS ISO30 - HOTBLOCK®**

T120



**PRECISION TEST BARS**

T501



**SOLID CARBIDE SPIRAL CUTTER, FINISH STYLE Z=2 KleinDIA® COATED**

T152.KD



**SOLID CARBIDE MORTISE COMPRESSION Z=2+2 KleinDIA® COATED**

T156.MKD



**SOLID CARBIDE MORTISE COMPRESSION Z=3+3 KleinDIA® COATED**

T356.MKD



**COLLET NUTS**

Z091





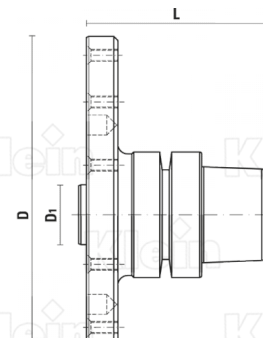
**QUICK CHANGE ISO30  
TAPPING CHUCK**

UT118



**QUICK CHANGE HSK63F  
TAPPING CHUCK**

UT118



**HSK63E ADAPTORS FOR  
LARGE DIAMETER  
SAWBLADES**

T128



**SOLID CARBIDE  
COMPRESSION CUTTERS  
Z=1+1 KleinDIA® COATED**

T155.KD



**SOLID CARBIDE  
COMPRESSION CUTTERS  
Z=2+2 KleinDIA® COATED**

T156.KD



**SOLID CARBIDE  
COMPRESSION CUTTER  
Z=3+3 KleinDIA® COATED**

T356.KD

Архангельск (8182)63-90-72  
Астана (7172)727-132  
Астрахань (8512)99-46-04  
Барнаул (3852)73-04-60  
Белгород (4722)40-23-64  
Брянск (4832)59-03-52  
Владивосток (423)249-28-31  
Волгоград (844)278-03-48  
Вологда (8172)26-41-59  
Воронеж (473)204-51-73  
Екатеринбург (343)384-55-89  
Иваново (4932)77-34-06

Ижевск (3412)26-03-58  
Иркутск (395)279-98-46  
Казань (843)206-01-48  
Калининград (4012)72-03-81  
Калуга (4842)92-23-67  
Кемерово (3842)65-04-62  
Киров (8332)68-02-04  
Краснодар (861)203-40-90  
Красноярск (391)204-63-61  
Курск (4712)77-13-04  
Липецк (4742)52-20-81  
Киргизия (996)312-96-26-47

Магнитогорск (3519)55-03-13  
Москва (495)268-04-70  
Мурманск (8152)59-64-93  
Набережные Челны (8552)20-53-41  
Нижегород (831)429-08-12  
Новокузнецк (3843)20-46-81  
Новосибирск (383)227-86-73  
Омск (3812)21-46-40  
Орел (4862)44-53-42  
Оренбург (3532)37-68-04  
Пенза (8412)22-31-16  
Россия (495)268-04-70

Пермь (342)205-81-47  
Ростов-на-Дону (863)308-18-15  
Рязань (4912)46-61-64  
Самара (846)206-03-16  
Санкт-Петербург (812)309-46-40  
Саратов (845)249-38-78  
Севастополь (8692)22-31-93  
Симферополь (3652)67-13-56  
Смоленск (4812)29-41-54  
Сочи (862)225-72-31  
Ставрополь (8652)20-65-13  
Казахстан (772)734-952-31

Сургут (3462)77-98-35  
Тверь (4822)63-31-35  
Томск (3822)98-41-53  
Тула (4872)74-02-29  
Тюмень (3452)66-21-18  
Ульяновск (8422)24-23-59  
Уфа (347)229-48-12  
Хабаровск (4212)92-98-04  
Челябинск (351)202-03-61  
Череповец (8202)49-02-64  
Ярославль (4852)69-52-93