

Архангельск (8182)63-90-72
 Астана (7172)727-132
 Астрахань (8512)99-46-04
 Барнаул (3852)73-04-60
 Белгород (4722)40-23-64
 Брянск (4832)59-03-52
 Владивосток (423)249-28-31
 Волгоград (844)278-03-48
 Вологда (8172)26-41-59
 Воронеж (473)204-51-73
 Екатеринбург (343)384-55-89
 Иваново (4932)77-34-06

Ижевск (3412)26-03-58
 Иркутск (395)279-98-46
 Казань (843)206-01-48
 Калининград (4012)72-03-81
 Калуга (4842)92-23-67
 Кемерово (3842)65-04-62
 Киров (8332)68-02-04
 Краснодар (861)203-40-90
 Красноярск (391)204-63-61
 Курск (4712)77-13-04
 Липецк (4742)52-20-81
 Киргизия (996)312-96-26-47

Магнитогорск (3519)55-03-13
 Москва (495)268-04-70
 Мурманск (8152)59-64-93
 Набережные Челны (8552)20-53-41
 Нижний Новгород (831)429-08-12
 Новокузнецк (3843)20-46-81
 Новосибирск (383)227-86-73
 Омск (3812)21-46-40
 Орел (4862)44-53-42
 Оренбург (3532)37-68-04
 Пенза (8412)22-31-16
 Россия (495)268-04-70

Пермь (342)205-81-47
 Ростов-на-Дону (863)308-18-15
 Рязань (4912)46-61-64
 Самара (846)206-03-16
 Санкт-Петербург (812)309-46-40
 Саратов (845)249-38-78
 Севастополь (8692)22-31-93
 Симферополь (3652)67-13-56
 Смоленск (4812)29-41-54
 Сочи (862)225-72-31
 Ставрополь (8652)20-65-13
 Казахстан (772)734-952-31

Сургут (3462)77-98-35
 Тверь (4822)63-31-35
 Томск (3822)98-41-53
 Тула (4872)74-02-29
 Тюмень (3452)66-21-18
 Ульяновск (8422)24-23-59
 Уфа (347)229-48-12
 Хабаровск (4212)92-98-04
 Челябинск (351)202-03-61
 Череповец (8202)49-02-64
 Ярославль (4852)69-52-93

<https://sistemklein.nt-rt.ru> || sfg@nt-rt.ru

Инструменты для алюминия и пластмасс

The **HW, HS and DP tools for aluminum, plastic and composite materials** working are suitable both on working with electric drills and on CNC routers.

For large-scale production SISTEMI offers tools with KleinDIA special coating. **KleinDIA** is a DLC (Diamond-like Carbon) anti-friction coating developed for large-scale production which allows to solve problems of tool abrasion, chip evacuation and chemical attack. Thanks to a very low friction coefficient, **plastic** and **aluminum** working are also improved and can be made without coolant, ensuring a higher safety to the operators and the highest reliability and efficiency.

Among the router bits for aluminum and plastic working you can find: solid carbide spiral bits, solid carbide spiral bits KleinDIA coated, spiral router bits for PVC and aluminum working, spiral bits for working on plexiglass and glass fiber, sawblades for working on aluminum, HS spiral bits, spiral bits for Alucobond working.



U101



U102



U111 - U112



U120



U101.KD



**SOLID CARBIDE SPIRAL
BITS UP CUT Z=1 KleinDIA®**

U102.KD



**SOLID CARBIDE SPIRAL
BITS UP CUT Z=1-Z=2
KleinDIA®**

U111.KD - U112.KD



**SOLID CARBIDE SPIRAL
BITS UP CUT Z=2 KleinDIA®**

U120.KD



**HW HINGE BORING BITS
FOR ALUMINIUM Z=2**

U140



**SOLID CARBIDE SPIRAL
BITS UP CUT Z=2**

U150



**SOLID CARBIDE SPIRAL
BITS UP CUT Z=4**

U155 - U156



**SOLID CARBIDE DOUBLE
DIAMETER SPIRAL BITS
Z=1**

U190



**HS-E UPCUT SPIRAL BITS
FOR ALUMINIUM Z=1**

U201 - U211 - U221



**HS-E UPCUT SPIRAL BITS
FOR ALUMINIUM Z=1**

U202



**HS-E UPCUT SPIRAL BITS
FOR ALUMINIUM Z=1,
KleinDIA® COATED**

U201.KD



**HS-E UPCUT SPIRAL BITS
FOR ALUMINIUM Z=1 LONG
TYPE, KleinDIA® COATED**

U202.KD



SET FOR ALU

X015



**HS DOUBLE DIAMETER
SPIRAL BITS FOR
ALUMINIUM Z=2**

U230



**HS SPECIAL BITS FOR PVC
Z=1**

U240



**HS SPECIAL BITS FOR PVC
Z=2**

U241



**HS UPCUT SPIRAL
CUTTERS FOR ALUMINIUM
Z=2-Z=3**

U250



**HS DRILLING BITS FOR
PVC AND ALUMINIUM
WORKING Z=2**

U260



**HS DRILLING BITS FOR
PVC AND ALUMINIUM
WORKING Z=2**

U270



**HS DOUBLE DIAMETER
SPIRAL BITS FOR
ALUMINIUM Z=2**

U290 - U291



**SOLID CARBIDE BITS FOR
FIBERGLASS WORKING -
KleinDIA® COATED**

U130.KD



**SOLID CARBIDE SPIRAL
CUTTERS Z=5 SUPER -
FINISHING**

U115



**SOLID CARBIDE SPIRAL
CUTTERS Z=5 SUPER -
FINISHING, KleinDIA®
COATED**

U115.KD



**SOLID CARBIDE SPIRAL
CUTTERS Z=2, KleinDIA®
COATED**

U302.KD



**HW DRILLS FOR WORKING
ALUCOBOND® Z=2**

U180



**SOLID CARBIDE BITS FOR
WORKING ALUCOBOND®
Z=2**

U181



**HOLDING SLEEVES FOR
MILLING CUTTER SETS
WITH MANUAL INSERTION**

YC320



**QUICK CHANGE HOLDING
SLEEVES FOR MILLING
CUTTER SETS**

YC320



SPACERS

YD 320



**HW ALTERNATE TOOTH
MILLING CUTTERS**

YF 060÷YF120



**SPECIAL UNITS FOR
ALUMINIUM-PROFILES**

YG



**HW INSERT ROUTER BITS
FOR PLASTIC MATERIAL**

W190.RU - WE190.RU -
WG190.RU



**HW TRIMMING AND SIZING
SAW BLADES**

FCS



**HW TRIMMING AND SIZING
SAW BLADES**

FB



**HW SAW BLADES FOR
ALUMINIUM "EXTRACUT®"**

LA



**HW SAW BLADES FOR
ALUMINIUM "EXTRACUT®"**

LB



**HW SAW BLADES FOR
PVC AND PLEXIGLASS**

MGS



**HW SAWBLADES FOR PVC
"EXTRACUT®"**

LE



T-SLOT HW CUTTERS Z=4

C173



**SOLID CARBIDE SPIRAL
BITS UP CUT Z=1 - Z=2
LONG TYPE**

U121-U122



**SOLID CARBIDE SPIRAL
BITS UP CUT Z=1 SHORT
TYPE**

U125



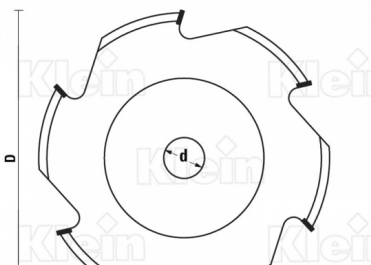
**SOLID CARBIDE SPIRAL
BITS UP CUT Z=1 - Z=2
LONG TYPE, KleinDIA®
COATED**

U121.KD-
U122.KD



**SOLID CARBIDE SPIRAL
BITS UP CUT Z=1 SHORT
TYPE KleinDIA® COATED**

U125.KD



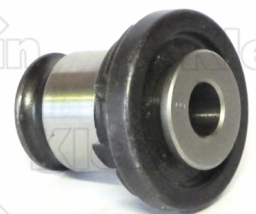
**CARBIDE TIPPED MILLING
CUTTERS FOR ACM AND
ALUCOBOND®**

YU120-YU121



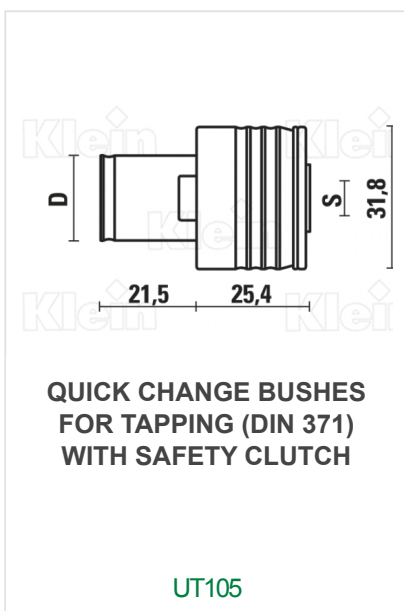
**VHW STRAIGHT BITS FOR
WORKING ALUCOBOND®
AND ACM**

U108



**QUICK CHANGE BUSHES
FOR TAPPING (DIN 371)**

UT100



Архангельск (8182)63-90-72
Астана (7172)727-132
Астрахань (8512)99-46-04
Барнаул (3852)73-04-60
Белгород (4722)40-23-64
Брянск (4832)59-03-52
Владивосток (423)249-28-31
Волгоград (844)278-03-48
Вологда (8172)26-41-59
Воронеж (473)204-51-73
Екатеринбург (343)384-55-89
Иваново (4932)77-34-06

Ижевск (3412)26-03-58
Иркутск (395)279-98-46
Казань (843)206-01-48
Калининград (4012)72-03-81
Калуга (4842)92-23-67
Кемерово (3842)65-04-62
Киров (8332)68-02-04
Краснодар (861)203-40-90
Красноярск (391)204-63-61
Курск (4712)77-13-04
Липецк (4742)52-20-81
Киргизия (996)312-96-26-47

Магнитогорск (3519)55-03-13
Москва (495)268-04-70
Мурманск (8152)59-64-93
Набережные Челны (8552)20-53-41
Нижний Новгород (831)429-08-12
Новокузнецк (3843)20-46-81
Новосибирск (383)227-86-73
Омск (3812)21-46-40
Орел (4862)44-53-42
Оренбург (3532)37-68-04
Пенза (8412)22-31-16
Россия (495)268-04-70

Пермь (342)205-81-47
Ростов-на-Дону (863)308-18-15
Рязань (4912)46-61-64
Самара (846)206-03-16
Санкт-Петербург (812)309-46-40
Саратов (845)249-38-78
Севастополь (8692)22-31-93
Симферополь (3652)67-13-56
Смоленск (4812)29-41-54
Сочи (862)225-72-31
Ставрополь (8652)20-65-13
Казахстан (772)734-952-31

Сургут (3462)77-98-35
Тверь (4822)63-31-35
Томск (3822)98-41-53
Тула (4872)74-02-29
Тюмень (3452)66-21-18
Ульяновск (8422)24-23-59
Уфа (347)229-48-12
Хабаровск (4212)92-98-04
Челябинск (351)202-03-61
Череповец (8202)49-02-64
Ярославль (4852)69-52-93

<https://sistemiklein.nt-rt.ru> || sfg@nt-rt.ru