

Архангельск (8182)63-90-72  
 Астана (7172)727-132  
 Астрахань (8512)99-46-04  
 Барнаул (3852)73-04-60  
 Белгород (4722)40-23-64  
 Брянск (4832)59-03-52  
 Владивосток (423)249-28-31  
 Волгоград (844)278-03-48  
 Вологда (8172)26-41-59  
 Воронеж (473)204-51-73  
 Екатеринбург (343)384-55-89  
 Иваново (4932)77-34-06

Ижевск (3412)26-03-58  
 Иркутск (395)279-98-46  
 Казань (843)206-01-48  
 Калининград (4012)72-03-81  
 Калуга (4842)92-23-67  
 Кемерово (3842)65-04-62  
 Киров (8332)68-02-04  
 Краснодар (861)203-40-90  
 Красноярск (391)204-63-61  
 Курск (4712)77-13-04  
 Липецк (4742)52-20-81  
 Киргизия (996)312-96-26-47

Магнитогорск (3519)55-03-13  
 Москва (495)268-04-70  
 Мурманск (8152)59-64-93  
 Набережные Челны (8552)20-53-41  
 Нижний Новгород (831)429-08-12  
 Новокузнецк (3843)20-46-81  
 Новосибирск (383)227-86-73  
 Омск (3812)21-46-40  
 Орел (4862)44-53-42  
 Оренбург (3532)37-68-04  
 Пенза (8412)22-31-16  
 Россия (495)268-04-70

Пермь (342)205-81-47  
 Ростов-на-Дону (863)308-18-15  
 Рязань (4912)46-61-64  
 Самара (846)206-03-16  
 Санкт-Петербург (812)309-46-40  
 Саратов (845)249-38-78  
 Севастополь (8692)22-31-93  
 Симферополь (3652)67-13-56  
 Смоленск (4812)29-41-54  
 Сочи (862)225-72-31  
 Ставрополь (8652)20-65-13  
 Казахстан (772)734-952-31

Сургут (3462)77-98-35  
 Тверь (4822)63-31-35  
 Томск (3822)98-41-53  
 Тула (4872)74-02-29  
 Тюмень (3452)66-21-18  
 Ульяновск (8422)24-23-59  
 Уфа (347)229-48-12  
 Хабаровск (4212)92-98-04  
 Челябинск (351)202-03-61  
 Череповец (8202)49-02-64  
 Ярославль (4852)69-52-93

<https://sistemiklein.nt-rt.ru> || [sfg@nt-rt.ru](mailto:sfg@nt-rt.ru)

## Фрезы со сменными ножами и фрезы ПКД

The **router bits with interchangeable knives** guarantee a longer tool life, a better finish and precision constant over time, assuring in this way an excellent quality/price ratio. Through the years, SISTEMI has increased its range of PCD (diamond) router bits for CNC routers in order to satisfy every need and necessity of the market, always by improving them in order to guarantee the highest performances.

Among the insert **router bits and DP router bits** you can find: insert router bits with DP tips, PCD router bits, DP dowel drills, PCD tools for CNC, profiled router cutters, DP router bits for wood and other timber derivatives working, PCD sawblades, insert flush trimming bits, router bits for V-grooving, planning, rabbeting and decorating, insert profile raised panel router cutters.



**HW INSERT FLUSH TRIM  
BITS Z=2**

W101 - W102



**HW INSERT ANGLE BITS  
Z=2**

W103 - W104



**HW INSERT FLUSH TRIM  
BITS WITH BALL BEARING  
GUIDE Z=2**

W105 - W106



**HW INSERT FLUSH TRIM  
BITS WITH BALL BEARING  
GUIDE Z=2**

W107 - W108



**HW INSERT FLUSH BITS  
Z=2+1**

W109 - W110



**HW INSERT FLUSH BITS  
Z=2+1**

W111 - W112



**HW INSERT FLUSH TRIMMING BITS Z=2**

W113 - W114



**HW INSERT FLUSH TRIMMING BITS WITH LOWER DOUBLE BALL BEARINGS Z=2**

W114



**HW INSERT FLUSH TRIMMING BITS Z=2**

W115 - W116



**HW INSERT FLUSH TRIMMING BITS WITH UPPER DOUBLE BALL BEARINGS Z=2**

W116



**HW INSERT PLUNGE ROUTER BITS Z=1  
"VERSOFIX"**

W122



**HW INSERT PLUNGE ROUTER BITS Z=1  
"VERSOFIX"**

W123 - W124



**HW INSERT PLUNGE ROUTER BITS Z=1  
"VERSOFIX"**

W126 - W127



**HW INSERT FLUSH TRIM BITS Z=2 "VERSOFIX"**

W138



**HW INSERT FLUSH TRIM BITS Z=2 "VERSOFIX" WITH CONICAL BEARING**

W138



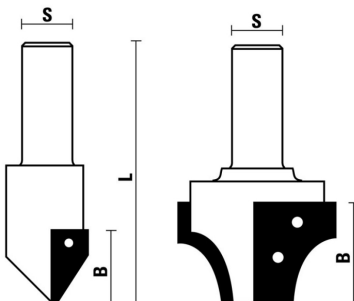
**HW INSERT HINGE BORING BITS Z=2+2**

W140



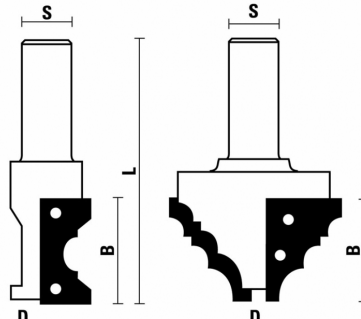
**HW INSERT PLUNGE ROUTER CUTTERS Z=1**

W155



**HW INSERT PROFILE CUTTERS, GROUP 1**

W160



**HW INSERT PROFILE CUTTERS, GROUP 2**

W161



**HW INSERT COMPRESSION ROUTER CUTTERS**

W165



**HW INSERT COMPRESSION ROUTER CUTTERS**

W165



**HW INSERT ROUTER BITS FOR CABINET DOORS Z=2**

W160



**HW INSERT ROUTER BITS FOR CABINET DOORS Z=2**

W161



**HW INSERT ROUTER BITS  
FOR DECORATION AND  
ENGRAVING Z=1**

W162



**COMPLETE SET FOR  
DECORATING AND  
ENGRAVING**

XW162



**COMPLETE CUTTERS SET  
FOR CABINET DOORS**

XW160



**HW INSERT VARI-ANGLE  
ROUTER CUTTERS 1° Z=2**

W168



**HW INSERT ROUTER BITS  
FOR ENGRAVINGS Z=1**

W170



**HW INSERT ROUTER BITS  
FOR ENGRAVINGS Z=1**

W170



**HW INSERT V-GROOVE  
ROUTER BITS Z=1**

W171



**HW INSERT ROUTER BITS  
FOR LOCKS Z=2**

W172-W173



**HW INSERT ROUTER BITS  
FOR LOCKS Z=2 HEAVY  
METAL TOOL BODY**

W172-W173





**HW INSERT ROUTER BITS  
Z=3**

W174



**HW INSERT ROUTER BITS  
FOR PLANING AND  
RABBETING Z=2+2**

W176 - W177



**HW INSERT ROUTER BITS  
FOR PLANING AND  
RABBETING**

W190 - WE190 - WG190



**HW INSERT ROUTER BITS  
FOR PLASTIC MATERIAL**

W190.RU - WE190.RU -  
WG190.RU



**HW INSERT ROUTER  
CUTTERS, ROUGHING Z=4**

W178 - W179



**HW INSERT FINGER JOINT  
ROUTER CUTTERS Z=2**

W180 - W181



**HW INSERT ADJUSTABLE  
ROUTER CUTTERS FOR  
GROOVING**

W183



**HW INSERT FLUSH  
TRIMMING BITS Z=1**

WC101



**HW INSERT V-GROOVING  
BITS Z=1**

WC109



**HW INSERT CORE BOX  
BITS WITH UPPER BALL  
BEARING Z=1**

WC111



**HW INSERT FLUSH  
TRIMMING BITS WITH BALL  
BEARING**

WC120



**HW RABBETING BITS WITH  
BALL BEARING Z=2**

WC121



**HW INSERT FLUSH  
TRIMMING BITS WITH BALL  
BEARING Z=2**

WC122



**HW INSERT CORNER  
ROUNDING BITS WITH  
BALL BEARING Z=2**

WC123



**HW INSERT COVER BITS  
WITH BALL BEARING Z=2**

WC125



**HW INSERT OGEE BITS  
WITH BALL BEARING Z=2**

WC129



**6 PIECE INSERT ROUTER  
BITS "SET"**

XWC



**HW INSERT ROUTER BITS  
Z=2+1**

WE100



**HW INSERT ROUTER BITS  
Z=2**

WE101



**HW INSERT BALL SLOT  
ROUTER BITS Z=2**

WE112



**HW INSERT REBATE BITS  
Z=2**

WE150



**HW INSERT REBATE BITS  
Z=2**

WE150



**HW INSERT RABBETING  
BITS Z=2**

WE150



**HW INSERT PROFILE  
RAISED PANEL ROUTER  
CUTTERS Z=2**

WE178



**HW INSERT PROFILE  
RAISED PANEL ROUTER  
CUTTERS Z=2**

WE178



**HW INSERT PROFILE  
RAISED PANEL ROUTER  
CUTTERS Z=2**

WE178



**HW INTERCHANGEABLE  
INSERT ROUTER BITS  
"NOVA SYSTEM" Z=2**

W200 - W201



**HW INTERCHANGEABLE  
INSERT ROUTER BITS  
"NOVA SYSTEM" Z=2**

W202 - W203 - W204 - W205



**HW INTERCHANGEABLE  
INSERT ROUTER BITS  
"NOVA SYSTEM" Z=2**

W206 - W207 - W208



**HW INTERCHANGEABLE  
INSERT ROUTER BITS  
"NOVA SYSTEM" Z=2**

W209 - W210



**HW INTERCHANGEABLE  
INSERT ROUTER BITS  
"NOVA SYSTEM" Z=2**

W211 - W212 - W213



**HW INTERCHANGEABLE  
INSERT ROUTER BITS  
"NOVA SYSTEM" Z=2**

W214 - W215 - W216



**HW INTERCHANGEABLE  
INSERT ROUTER BITS  
"NOVA SYSTEM" Z=2**

W250 - W251



**HW INTERCHANGEABLE  
INSERT ROUTER BITS  
"NOVA SYSTEM" Z=2**

W252 - W253



**HW INTERCHANGEABLE  
INSERT ROUTER BITS  
"NOVA SYSTEM" Z=2**

W254



**HW INSERT ROUTER BITS  
"NOVA SYSTEM" Z=2**

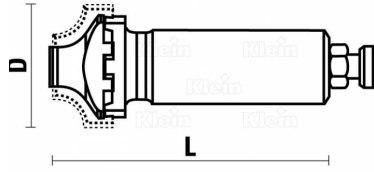
W261 - W262





**HW INSERT ROUTER BITS  
"NOVA SYSTEM" Z=2**

W260



**HW INSERT ROUTER BITS  
"NOVA SYSTEM" Z=2**

W263 - W264



**DP ROUTER BITS**

X500 - X501 - X502 - X503



**DP ROUTER BITS - H=1,5**

X522 - X523



**DP ROUTER BITS FOR  
GREAT REMOVAL**

X505 - X506



**DP ROUTER CUTTERS  
WITH 40° SHEAR ANGLE**

X520 - X521



**DP ROUTER BITS WITH  
DOUBLE TIPS**

X508 - X509



**DP ROUTER BITS FOR  
NESTING OPERATION**

X528



**DP ROUTER BITS Z=1**

X510



**DP ROUTER BITS Z=2**

X512



**DP DOWEL DRILLS**

X530 - X531



**DP THROUGH-HOLE DRILL BITS**

X532 - X533



**DP HINGE BORING BITS**

X540 - X541



**6 PIECE INSERT ROUTER BITS "SET"**

XWC



**DP SAW BLADES**

XFC



**DP CONICAL SCORING SAW BLADES**

XFI



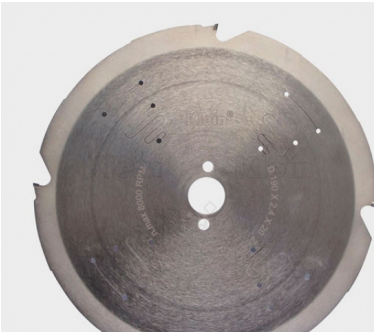
**DP ADJUSTABLE SCORING SAW BLADES**

XFL



**DP PANEL SIZING SAW BLADES**

XHC



**DP SAW BLADES FOR  
CUTTING ABRASIVE  
MATERIALS**

XGE



**DP GROOVE CUTTER FOR  
"LAMELLO - CLAMEX P"  
JOINTS**

XAH



**DP GROOVE CUTTER FOR  
"LAMELLO" JOINTS**

XAH100



**DP STANDARD  
REVERSIBLE KNIVES**

XZ055



**DP TRIMMING BITS WITH  
BALL BEARING Z=2**

XA119 - XB119 - XC119



**DP ROUND OVER BITS  
WITH BALL BEARING Z=2**

XC123



**DP INSERT ROUTER BITS  
FOR PLANING AND  
RABBETING**

XW190 - XWG190



**DP INSERT ROUTER BITS  
FOR PLASTIC MATERIAL**

XW190.RU - XWG190.RU



**HW INSERT FLUSH  
TRIMMING BITS Z=2 WITH  
UPPER AND LOWER BALL  
BEARING**

W117 - W118



**HW INSERT V-GROOVE  
ROUTER BITS Z=1 FOR  
PLASTIC, KleinDIA®  
COATED**

W171.UKD



**DP ROUTER BITS FOR  
"LAMELLO®"**

X569

**Архангельск** (8182)63-90-72  
**Астана** (7172)727-132  
**Астрахань** (8512)99-46-04  
**Барнаул** (3852)73-04-60  
**Белгород** (4722)40-23-64  
**Брянск** (4832)59-03-52  
**Владивосток** (423)249-28-31  
**Волгоград** (844)278-03-48  
**Вологда** (8172)26-41-59  
**Воронеж** (473)204-51-73  
**Екатеринбург** (343)384-55-89  
**Иваново** (4932)77-34-06

**Ижевск** (3412)26-03-58  
**Иркутск** (395)279-98-46  
**Казань** (843)206-01-48  
**Калининград** (4012)72-03-81  
**Калуга** (4842)92-23-67  
**Кемерово** (3842)65-04-62  
**Киров** (8332)68-02-04  
**Краснодар** (861)203-40-90  
**Красноярск** (391)204-63-61  
**Курск** (4712)77-13-04  
**Липецк** (4742)52-20-81  
**Киргизия** (996)312-96-26-47

**Магнитогорск** (3519)55-03-13  
**Москва** (495)268-04-70  
**Мурманск** (8152)59-64-93  
**Набережные Челны** (8552)20-53-41  
**Нижний Новгород** (831)429-08-12  
**Новокузнецк** (3843)20-46-81  
**Новосибирск** (383)227-86-73  
**Омск** (3812)21-46-40  
**Орел** (4862)44-53-42  
**Оренбург** (3532)37-68-04  
**Пенза** (8412)22-31-16  
**Россия** (495)268-04-70

**Пермь** (342)205-81-47  
**Ростов-на-Дону** (863)308-18-15  
**Рязань** (4912)46-61-64  
**Самара** (846)206-03-16  
**Санкт-Петербург** (812)309-46-40  
**Саратов** (845)249-38-78  
**Севастополь** (8692)22-31-93  
**Симферополь** (3652)67-13-56  
**Смоленск** (4812)29-41-54  
**Сочи** (862)225-72-31  
**Ставрополь** (8652)20-65-13  
**Казахстан** (772)734-952-31

**Сургут** (3462)77-98-35  
**Тверь** (4822)63-31-35  
**Томск** (3822)98-41-53  
**Тула** (4872)74-02-29  
**Тюмень** (3452)66-21-18  
**Ульяновск** (8422)24-23-59  
**Уфа** (347)229-48-12  
**Хабаровск** (4212)92-98-04  
**Челябинск** (351)202-03-61  
**Череповец** (8202)49-02-64  
**Ярославль** (4852)69-52-93

<https://sistemiklein.nt-rt.ru> || [sfg@nt-rt.ru](mailto:sfg@nt-rt.ru)